



ARCHITECTURAL STREET FURNISHINGS

www.asfco.co.uk info@asfco.co.uk 01484 401414

**CAST IRON
POST AND RAIL
SYSTEMS**





ASF Cast Iron Buckingham

Page 2

5 Products



ASF Cast Iron Balmoral

Page 3

5 Products



ASF Cast Iron Sandringham

Page 4

5 Products



ASF Cast Iron Post and Rail

Pages 5-20

16 Products



2 Rail Post



Knee Rail Post



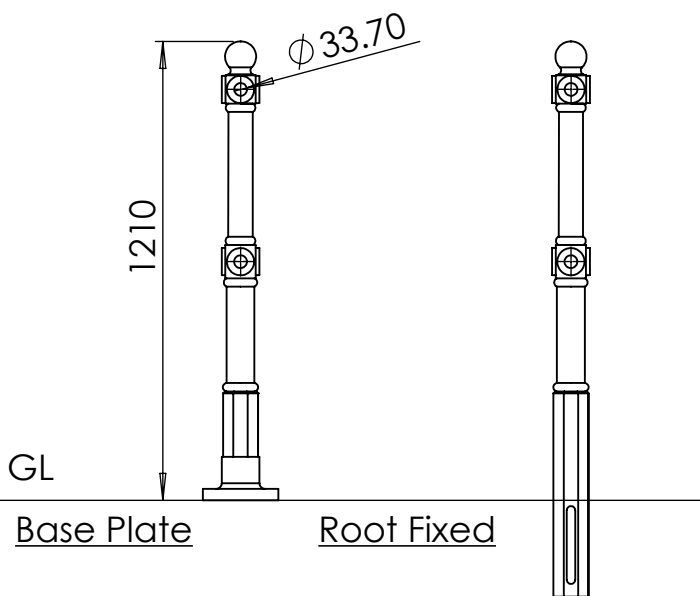
3 Rail Post



Post and Panel



Post and Panel With Top Rail

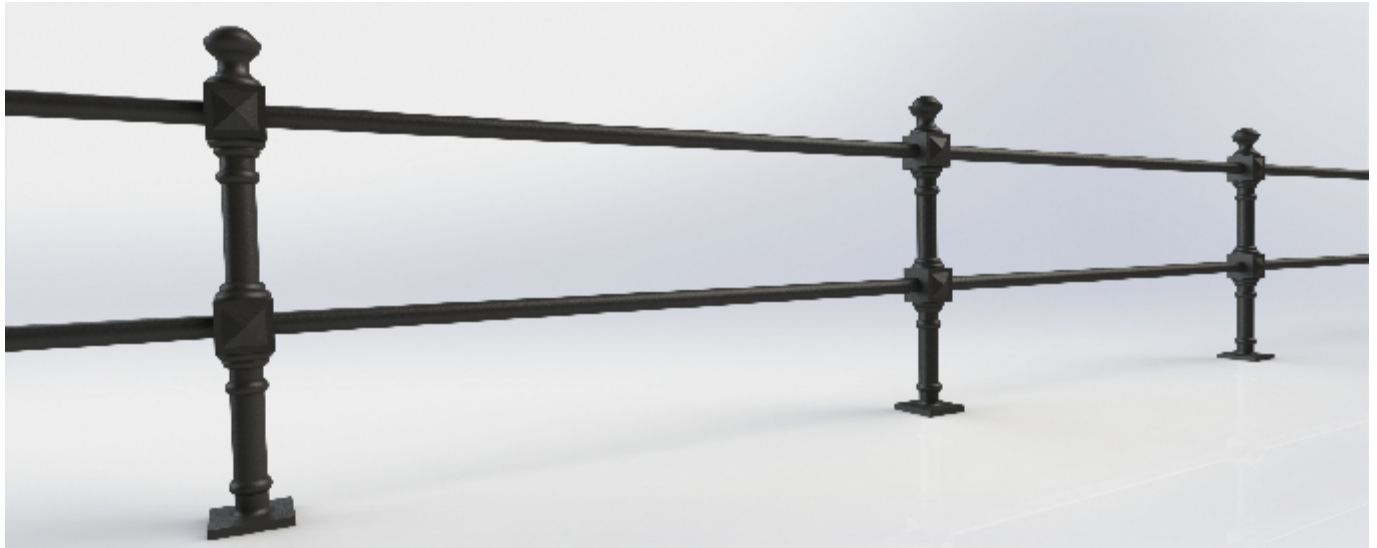


Post & Rail | ASF Buckingham Post - Cast or Ductile Iron

Materials
Standard Finish
Optional Finish
Rail Options

Post Options
Extras

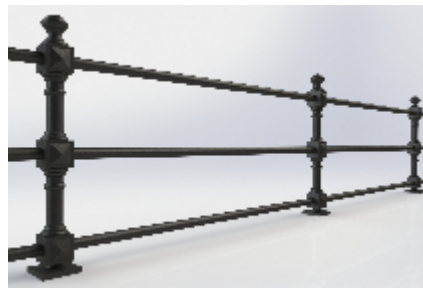
Available in either 100% recycled engineering grade 250 cast iron (as standard) or ductile iron
 Posts are supplied in zinc rich metal primer
 ASF Metal Shield Gloss in any standard RAL or BS colour
 As standard rails are supplied in straight lengths at 6.4m or 7m.
 Standard rail diameters as per drawing, other diameters available on request
 Posts can be adapted to negotiate various site conditions such as gradients, steps, corners etc.
 Fixing bolts, lead wedges and gun applied sealant can be applied on request



2 Rail Post



Knee Rail Post



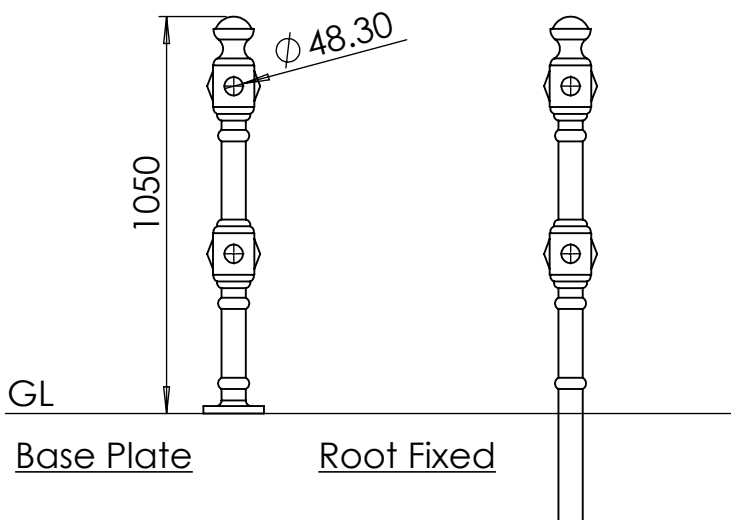
3 Rail Post



Post and Panel



Post and Panel With Top Rail

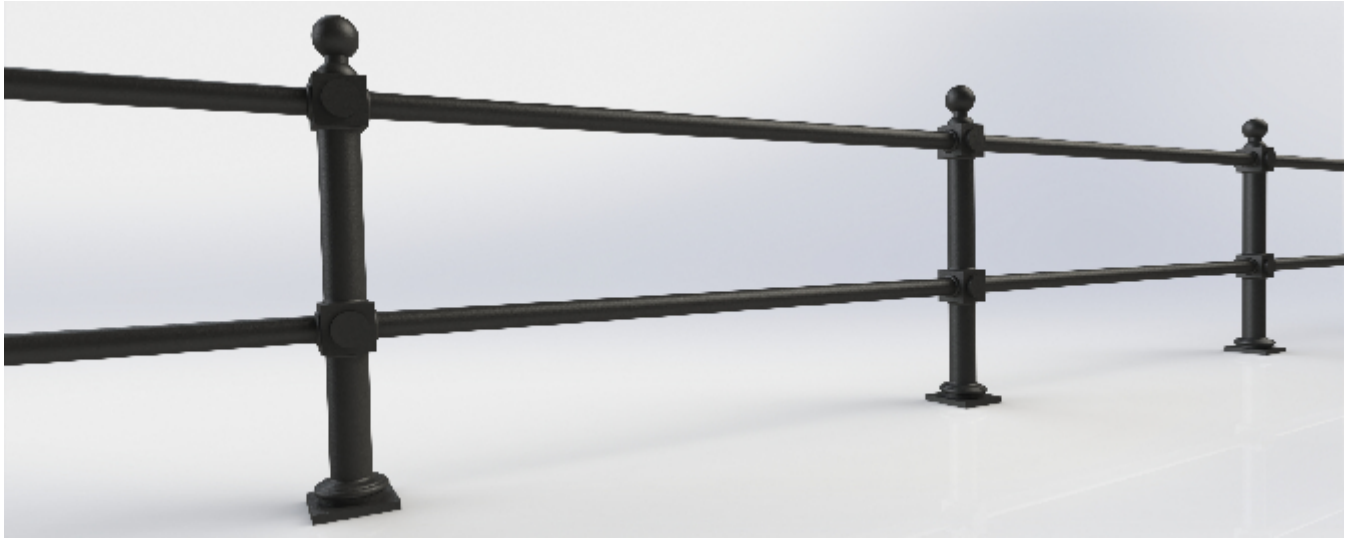


Post & Rail | ASF Balmoral Post - Cast or Ductile Iron

Materials
Standard Finish
Optional Finish
Rail Options

Post Options
Extras

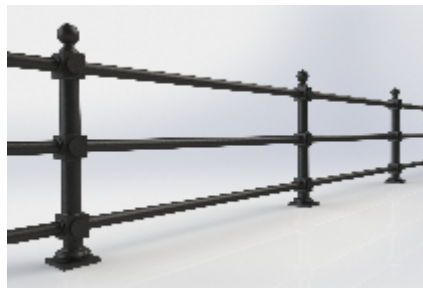
Available in either 100% recycled engineering grade 250 cast iron (as standard) or ductile iron
Posts are supplied in zinc rich metal primer
ASF Metal Shield Gloss in any standard RAL or BS colour
As standard rails are supplied in straight lengths at 6.4m or 7m.
Standard rail diameters as per drawing, other diameters available on request
Posts can be adapted to negotiate various site conditions such as gradients, steps, corners etc.
Fixing bolts, lead wedges and gun applied sealant can be applied on request



2 Rail Post



Knee Rail Post



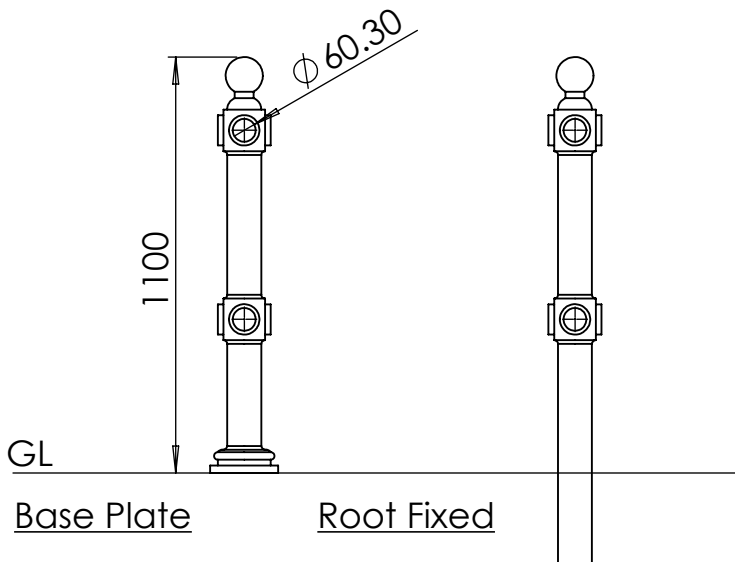
3 Rail Post



Post and Panel



Post and Panel With Top Rail

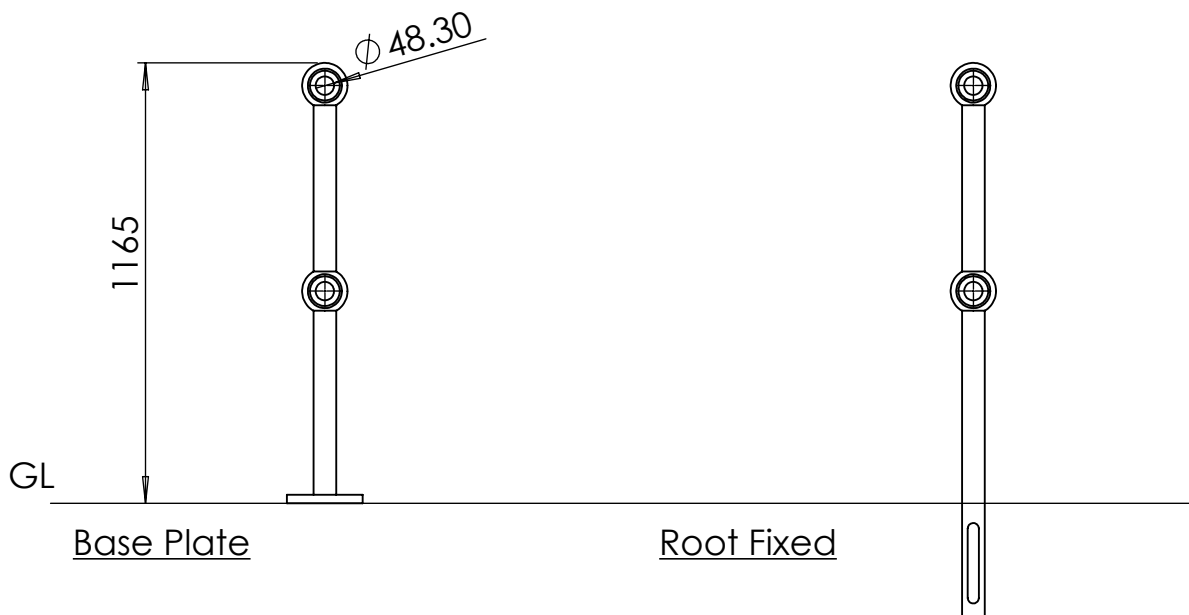


Post & Rail | ASF Sandringham Post - Cast or Ductile Iron

Materials
Standard Finish
Optional Finish
Rail Options

Post Options
Extras

Available in either 100% recycled engineering grade 250 cast iron (as standard) or ductile iron
Posts are supplied in zinc rich metal primer
ASF Metal Shield Gloss in any standard RAL or BS colour
As standard rails are supplied in straight lengths at 6.4m or 7m.
Standard rail diameters as per drawing, other diameters available on request
Posts can be adapted to negotiate various site conditions such as gradients, steps, corners etc.
Fixing bolts, lead wedges and gun applied sealant can be applied on request

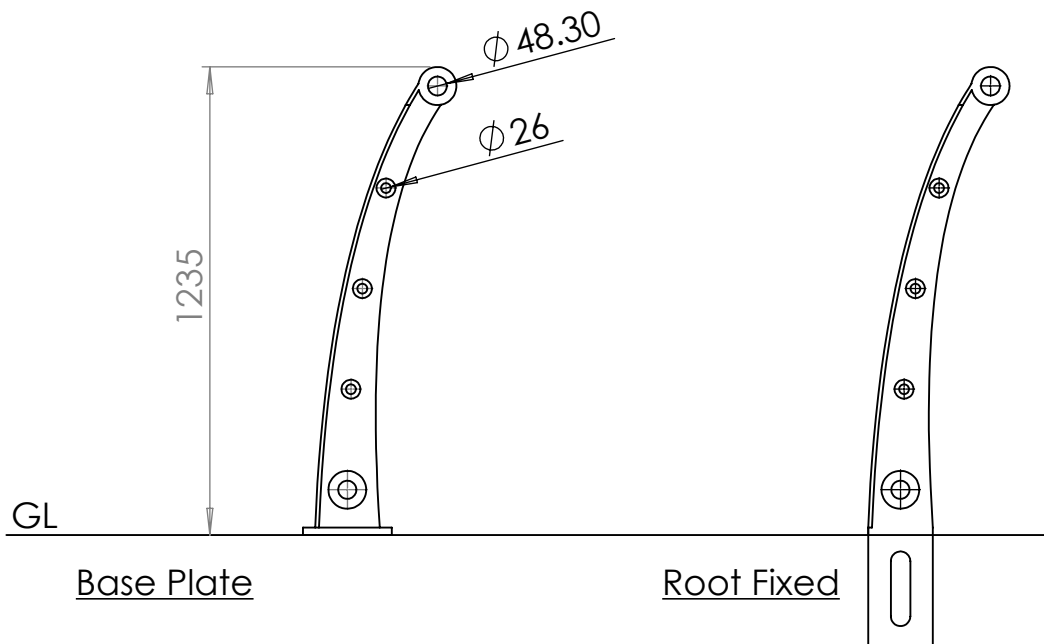


Post & Rail | ASF Buckden 2 Rail Post - Cast or Ductile Iron

Materials
Standard Finish
Optional Finish
Rail Options

Post Options
Extras

Available in either 100% recycled engineering grade 250 cast iron (as standard) or ductile iron
 Posts are supplied in zinc rich metal primer
 ASF Metal Shield Gloss in any standard RAL or BS colour
 As standard rails are supplied in straight lengths at 6.4m or 7m.
 Standard rail diameters as per drawing, other diameters available on request
 Posts can be adapted to negotiate various site conditions such as gradients, steps, corners etc.
 Fixing bolts, lead wedges and gun applied sealant can be applied on request

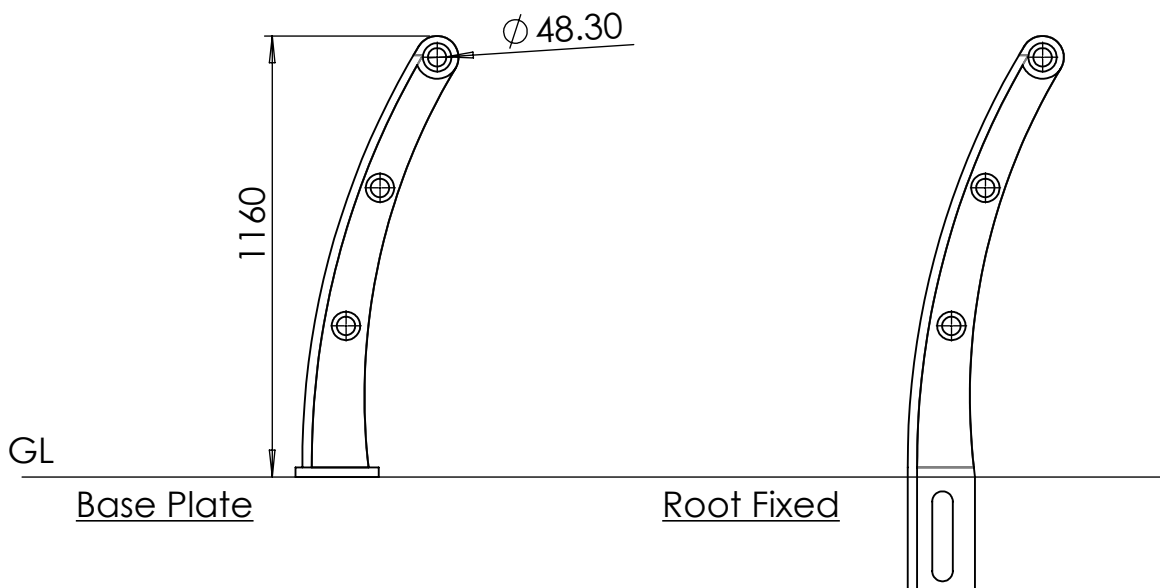


Post & Rail | ASF Quayside 5 Rail Post - Cast or Ductile Iron

Materials
Standard Finish
Optional Finish
Rail Options

Post Options
Extras

Available in either 100% recycled engineering grade 250 cast iron (as standard) or ductile iron
 Posts are supplied in zinc rich metal primer
 ASF Metal Shield Gloss in any standard RAL or BS colour
 As standard rails are supplied in straight lengths at 6.4m or 7m.
 Standard rail diameters as per drawing, other diameters available on request
 Posts can be adapted to negotiate various site conditions such as gradients, steps, corners etc.
 Fixing bolts, lead wedges and gun applied sealant can be applied on request

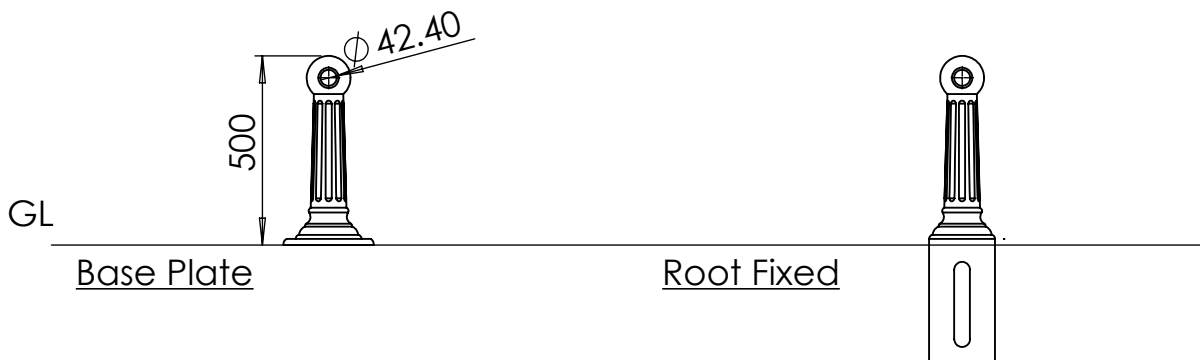


Post & Rail | ASF Quayside 3 Rail Post - Cast or Ductile Iron

Materials
Standard Finish
Optional Finish
Rail Options

Post Options
Extras

Available in either 100% recycled engineering grade 250 cast iron (as standard) or ductile iron
Posts are supplied in zinc rich metal primer
ASF Metal Shield Gloss in any standard RAL or BS colour
As standard rails are supplied in straight lengths at 6.4m or 7m.
Standard rail diameters as per drawing, other diameters available on request
Posts can be adapted to negotiate various site conditions such as gradients, steps, corners etc.
Fixing bolts, lead wedges and gun applied sealant can be applied on request

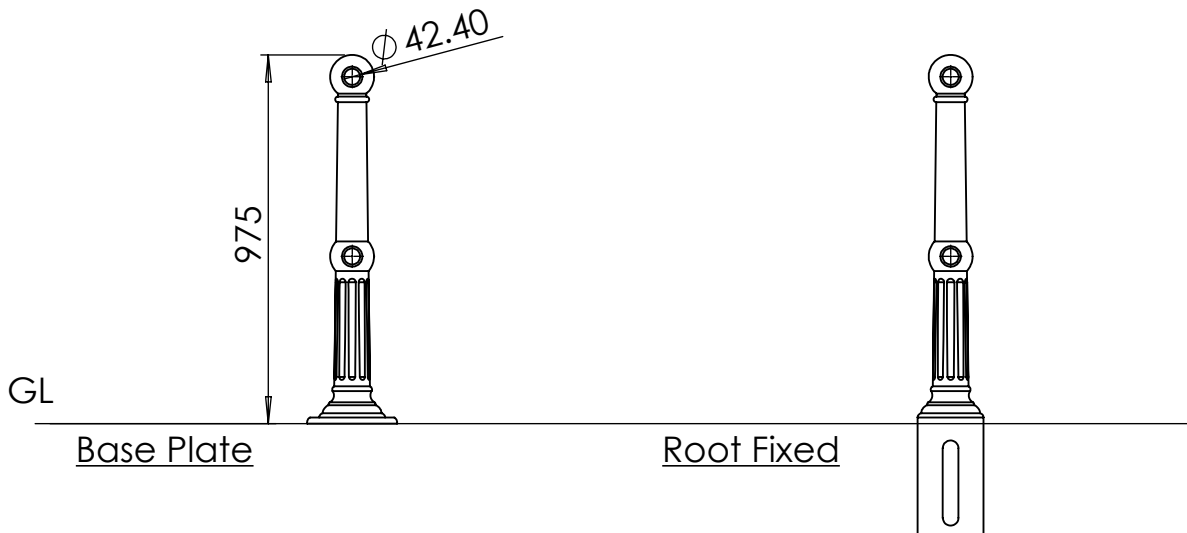


Post & Rail | ASF Belgrave Knee Rail Post - Cast or Ductile Iron

Materials
Standard Finish
Optional Finish
Rail Options

Post Options
Extras

Available in either 100% recycled engineering grade 250 cast iron (as standard) or ductile iron
 Posts are supplied in zinc rich metal primer
 ASF Metal Shield Gloss in any standard RAL or BS colour
 As standard rails are supplied in straight lengths at 6.4m or 7m.
 Standard rail diameters as per drawing, other diameters available on request
 Posts can be adapted to negotiate various site conditions such as gradients, steps, corners etc.
 Fixing bolts, lead wedges and gun applied sealant can be applied on request

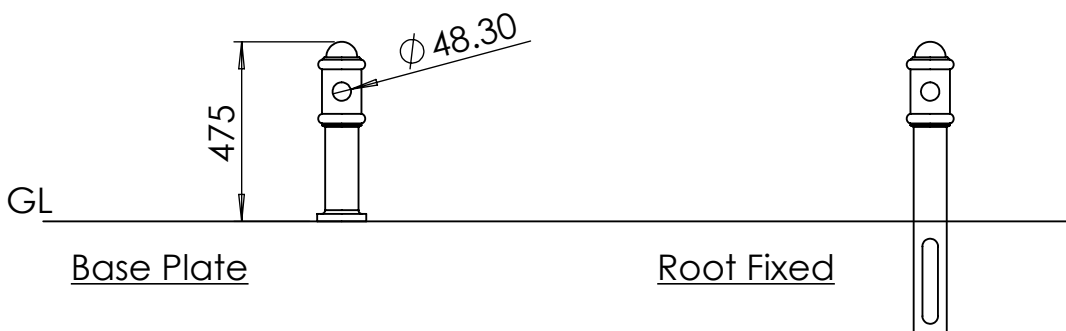


Post & Rail | ASF Belgrave 2 Rail Post - Cast or Ductile Iron

Materials
Standard Finish
Optional Finish
Rail Options

Post Options
Extras

Available in either 100% recycled engineering grade 250 cast iron (as standard) or ductile iron
 Posts are supplied in zinc rich metal primer
 ASF Metal Shield Gloss in any standard RAL or BS colour
 As standard rails are supplied in straight lengths at 6.4m or 7m.
 Standard rail diameters as per drawing, other diameters available on request
 Posts can be adapted to negotiate various site conditions such as gradients, steps, corners etc.
 Fixing bolts, lead wedges and gun applied sealant can be applied on request

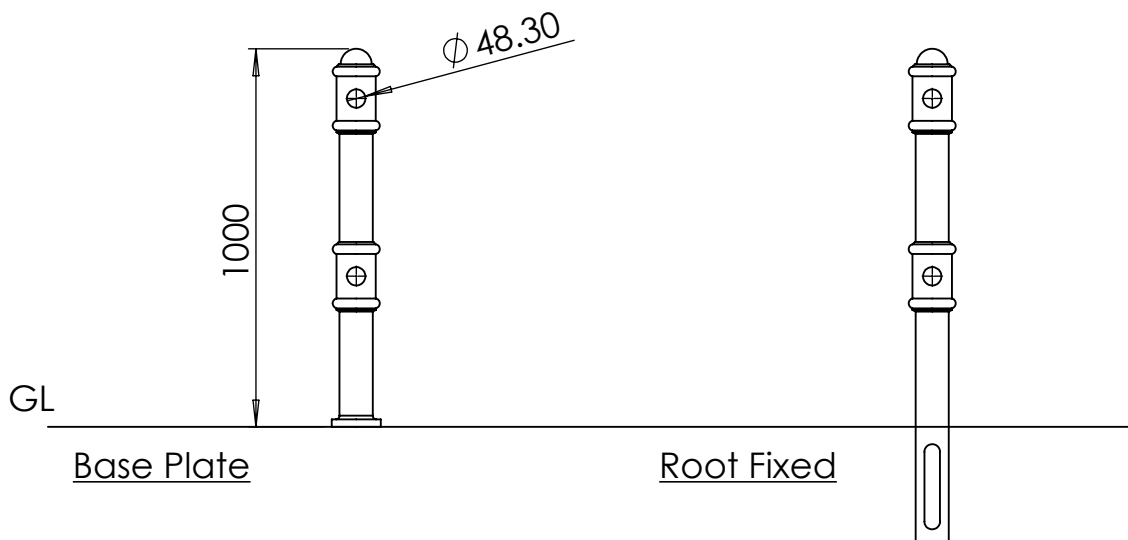


Post & Rail | ASF Blenheim Knee Rail Post - Cast or Ductile iron

Materials
Standard Finish
Optional Finish
Rail Options

Post Options
Extras

Available in either 100% recycled engineering grade 250 cast iron (as standard) or ductile iron
 Posts are supplied in zinc rich metal primer
 ASF Metal Shield Gloss in any standard RAL or BS colour
 As standard rails are supplied in straight lengths at 6.4m or 7m.
 Standard rail diameters as per drawing, other diameters available on request
 Posts can be adapted to negotiate various site conditions such as gradients, steps, corners etc.
 Fixing bolts, lead wedges and gun applied sealant can be applied on request

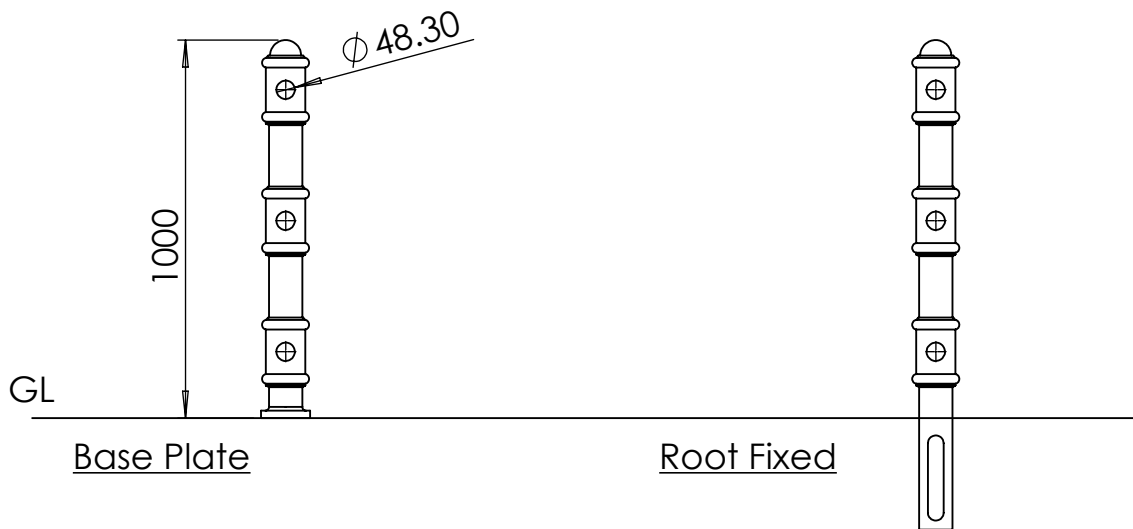


Post & Rail | ASF Blenheim 2 Rail Post - Cast or Ductile Iron

Materials
Standard Finish
Optional Finish
Rail Options

Post Options
Extras

Available in either 100% recycled engineering grade 250 cast iron (as standard) or ductile iron
 Posts are supplied in zinc rich metal primer
 ASF Metal Shield Gloss in any standard RAL or BS colour
 As standard rails are supplied in straight lengths at 6.4m or 7m.
 Standard rail diameters as per drawing, other diameters available on request
 Posts can be adapted to negotiate various site conditions such as gradients, steps, corners etc.
 Fixing bolts, lead wedges and gun applied sealant can be applied on request

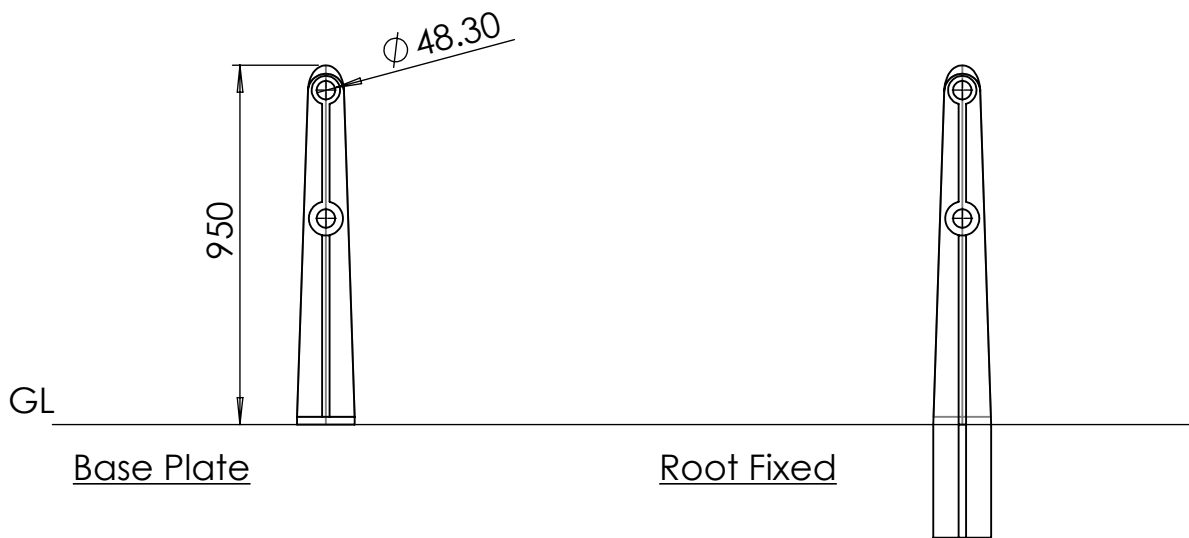


Post & Rail | ASF Blenheim 3 Rail Post - Cast or Ductile Iron

Materials
Standard Finish
Optional Finish
Rail Options

Post Options
Extras

Available in either 100% recycled engineering grade 250 cast iron (as standard) or ductile iron
 Posts are supplied in zinc rich metal primer
 ASF Metal Shield Gloss in any standard RAL or BS colour
 As standard rails are supplied in straight lengths at 6.4m or 7m.
 Standard rail diameters as per drawing, other diameters available on request
 Posts can be adapted to negotiate various site conditions such as gradients, steps, corners etc.
 Fixing bolts, lead wedges and gun applied sealant can be applied on request

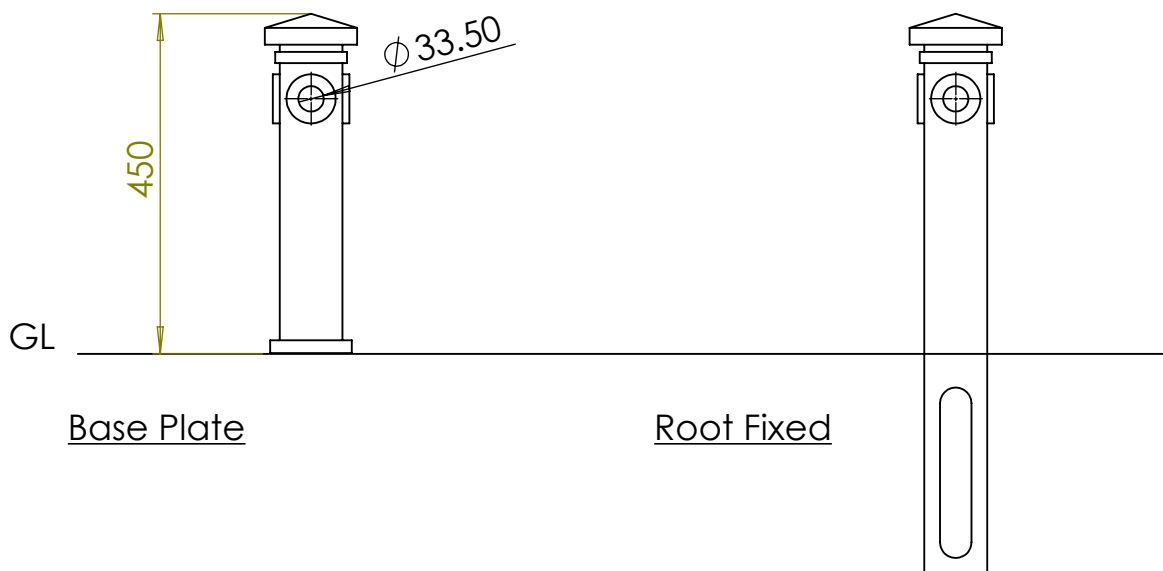


Post & Rail | ASF Beaumont 2 Rail Post - Cast or Ductile Iron

Materials
Standard Finish
Optional Finish
Rail Options

Post Options
Extras

Available in either 100% recycled engineering grade 250 cast iron (as standard) or ductile iron
 Posts are supplied in zinc rich metal primer
 ASF Metal Shield Gloss in any standard RAL or BS colour
 As standard rails are supplied in straight lengths at 6.4m or 7m.
 Standard rail diameters as per drawing, other diameters available on request
 Posts can be adapted to negotiate various site conditions such as gradients, steps, corners etc.
 Fixing bolts, lead wedges and gun applied sealant can be applied on request

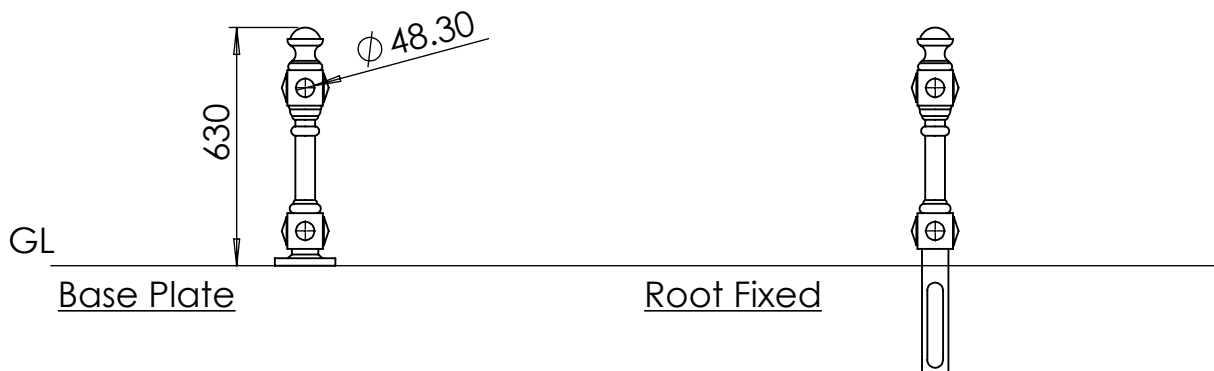


Post & Rail | ASF Woburn Knee Rail Post - Cast or Ductil Iron

Materials
Standard Finish
Optional Finish
Rail Options

Post Options
Extras

Available in either 100% recycled engineering grade 250 cast iron (as standard) or ductile iron
 Posts are supplied in zinc rich metal primer
 ASF Metal Shield Gloss in any standard RAL or BS colour
 As standard rails are supplied in straight lengths at 6.4m or 7m.
 Standard rail diameters as per drawing, other diameters available on request
 Posts can be adapted to negotiate various site conditions such as gradients, steps, corners etc.
 Fixing bolts, lead wedges and gun applied sealant can be applied on request

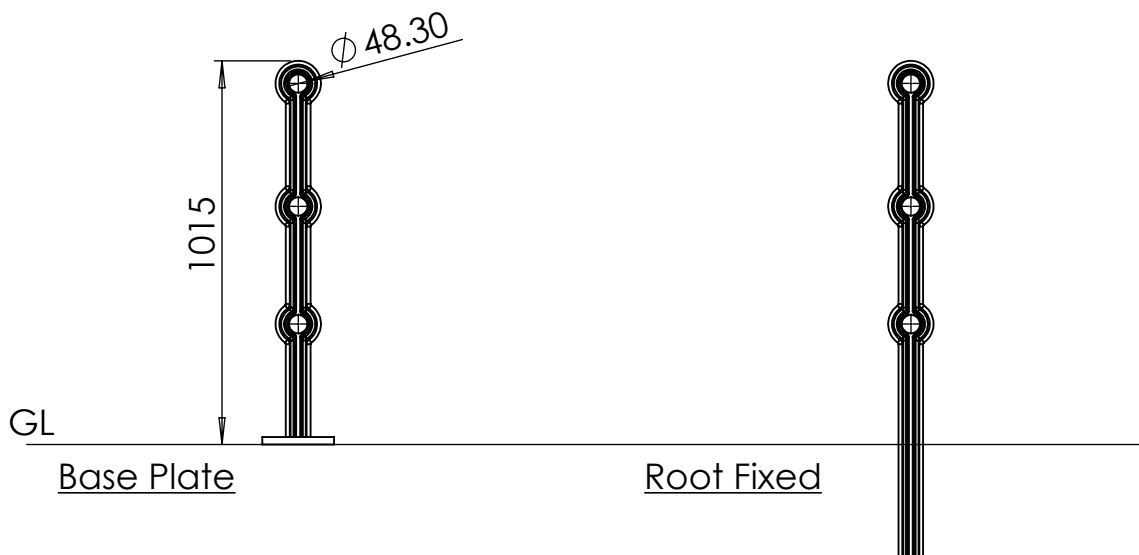
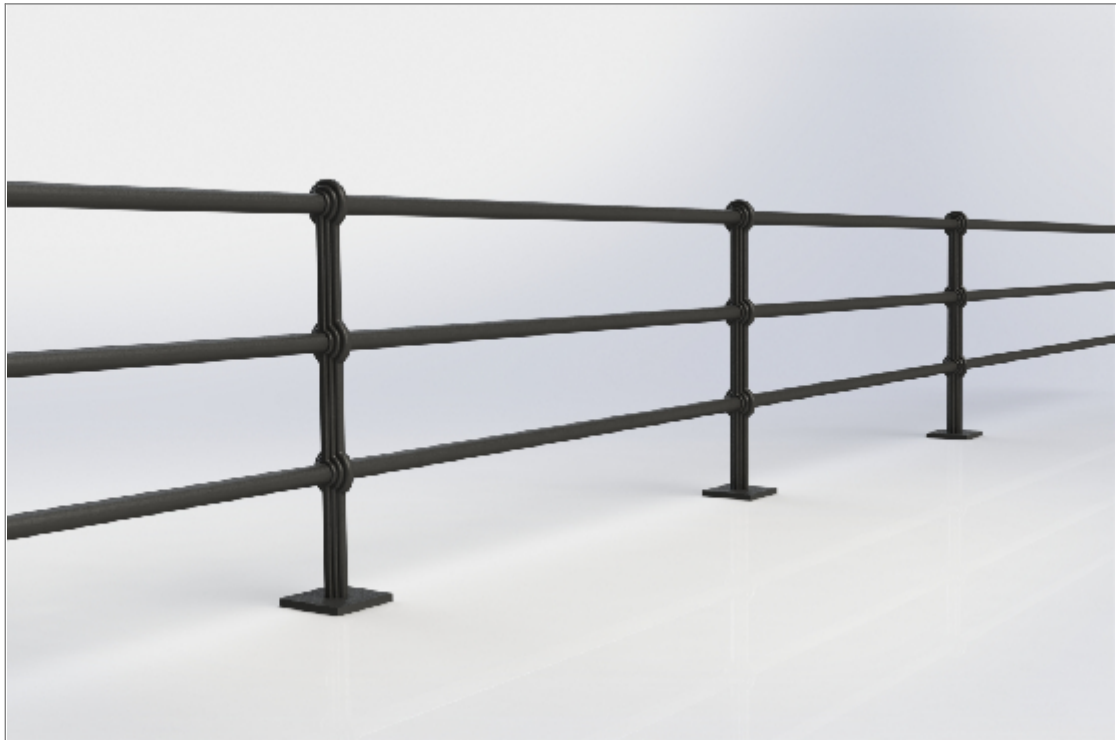


Post & Rail | ASF Bourne 2 Rail Post - Cast or Ductil Iron

Materials
Standard Finish
Optional Finish
Rail Options

Post Options
Extras

Available in either 100% recycled engineering grade 250 cast iron (as standard) or ductile iron
 Posts are supplied in zinc rich metal primer
 ASF Metal Shield Gloss in any standard RAL or BS colour
 As standard rails are supplied in straight lengths at 6.4m or 7m.
 Standard rail diameters as per drawing, other diameters available on request
 Posts can be adapted to negotiate various site conditions such as gradients, steps, corners etc.
 Fixing bolts, lead wedges and gun applied sealant can be applied on request

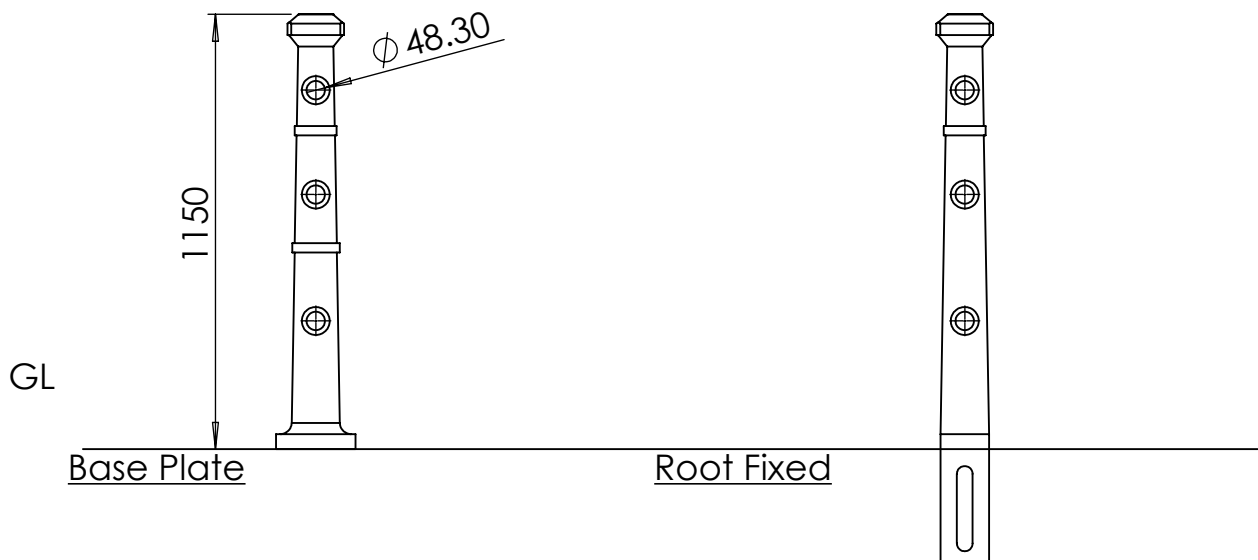


Post & Rail | ASF Stowe 3 Rail Post - Cast or Ductil Iron

Materials
Standard Finish
Optional Finish
Rail Options

Post Options
Extras

Available in either 100% recycled engineering grade 250 cast iron (as standard) or ductile iron
 Posts are supplied in zinc rich metal primer
 ASF Metal Shield Gloss in any standard RAL or BS colour
 As standard rails are supplied in straight lengths at 6.4m or 7m.
 Standard rail diameters as per drawing, other diameters available on request
 Posts can be adapted to negotiate various site conditions such as gradients, steps, corners etc.
 Fixing bolts, lead wedges and gun applied sealant can be applied on request

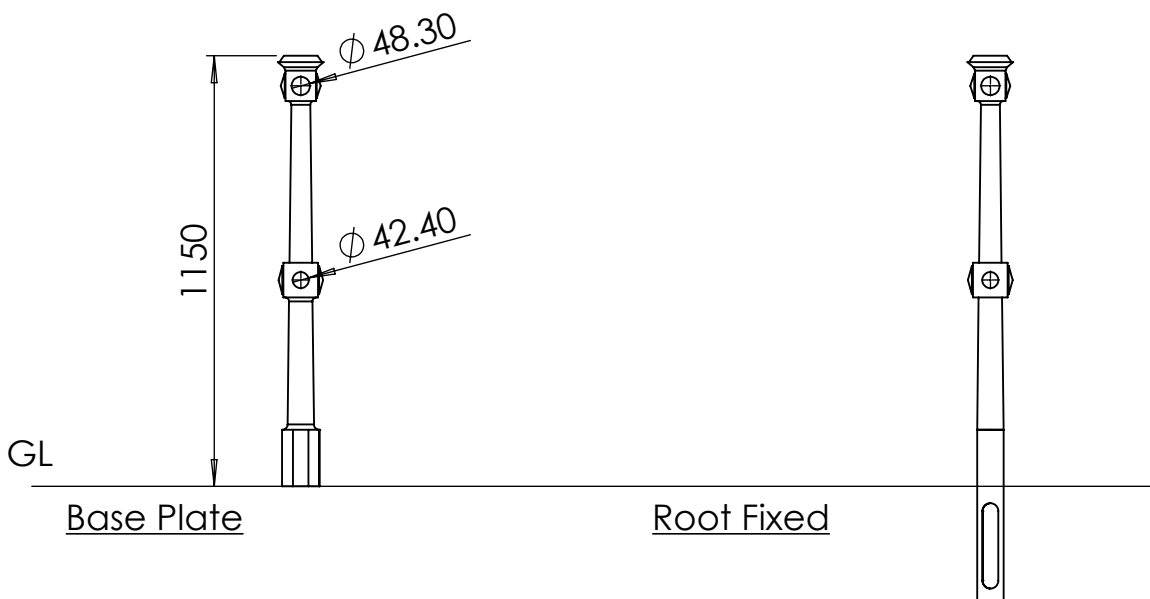


Post & Rail | ASF Ascot 3 Rail Post - Cast or Ductile Iron

Materials
Standard Finish
Optional Finish
Rail Options

Post Options
Extras

Available in either 100% recycled engineering grade 250 cast iron (as standard) or ductile iron
 Posts are supplied in zinc rich metal primer
 ASF Metal Shield Gloss in any standard RAL or BS colour
 As standard rails are supplied in straight lengths at 6.4m or 7m.
 Standard rail diameters as per drawing, other diameters available on request
 Posts can be adapted to negotiate various site conditions such as gradients, steps, corners etc.
 Fixing bolts, lead wedges and gun applied sealant can be applied on request

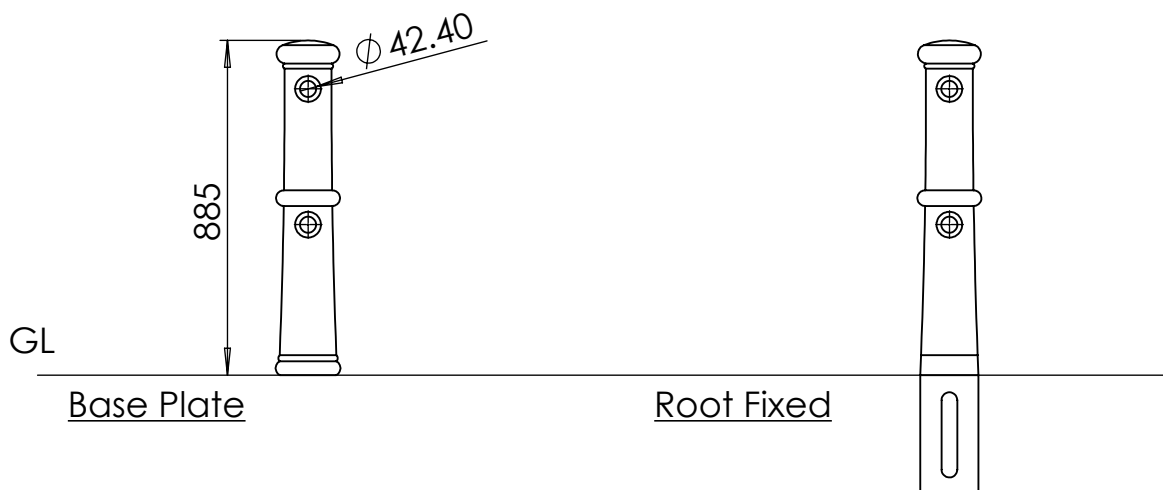


Post & Rail | ASF Berkeley 2 Rail Post - Cast or Ductile Iron

Materials
Standard Finish
Optional Finish
Rail Options

Post Options
Extras

Available in either 100% recycled engineering grade 250 cast iron (as standard) or ductile iron
 Posts are supplied in zinc rich metal primer
 ASF Metal Shield Gloss in any standard RAL or BS colour
 As standard rails are supplied in straight lengths at 6.4m or 7m.
 Standard rail diameters as per drawing, other diameters available on request
 Posts can be adapted to negotiate various site conditions such as gradients, steps, corners etc.
 Fixing bolts, lead wedges and gun applied sealant can be applied on request

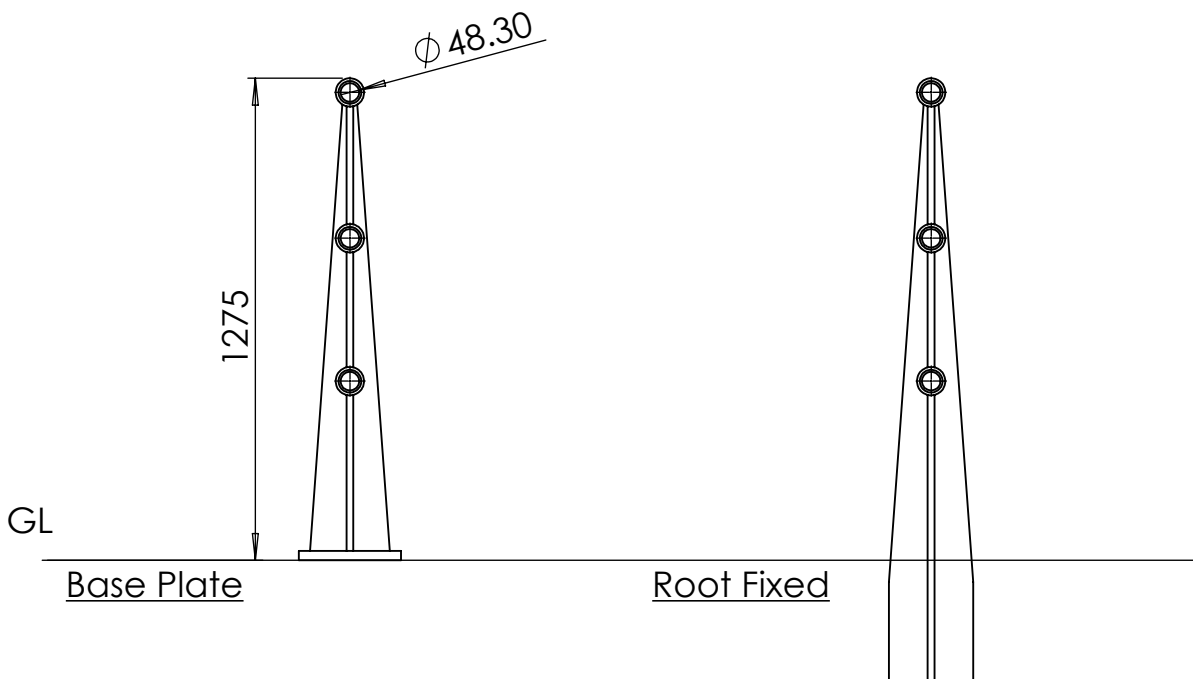


Post & Rail | ASF Belvoir 2 Rail Post - Cast or Ductile Iron

Materials
Standard Finish
Optional Finish
Rail Options

Post Options
Extras

Available in either 100% recycled engineering grade 250 cast iron (as standard) or ductile iron
 Posts are supplied in zinc rich metal primer
 ASF Metal Shield Gloss in any standard RAL or BS colour
 As standard rails are supplied in straight lengths at 6.4m or 7m.
 Standard rail diameters as per drawing, other diameters available on request
 Posts can be adapted to negotiate various site conditions such as gradients, steps, corners etc.
 Fixing bolts, lead wedges and gun applied sealant can be applied on request



Post & Rail | ASF Albany 3 Rail Post - Cast or Ductile Iron

Materials
Standard Finish
Optional Finish
Rail Options

Post Options
Extras

Available in either 100% recycled engineering grade 250 cast iron (as standard) or ductile iron
Posts are supplied in zinc rich metal primer
ASF Metal Shield Gloss in any standard RAL or BS colour
As standard rails are supplied in straight lengths at 6.4m or 7m.
Standard rail diameters as per drawing, other diameters available on request
Posts can be adapted to negotiate various site conditions such as gradients, steps, corners etc.
Fixing bolts, lead wedges and gun applied sealant can be applied on request